



C A R I O



# 1 Number one in Thailand

Thai Summit Group is one of the largest automotive parts manufacturers in South East Asia. It was established in 1977 and has expanded with over 30 subsidiaries throughout Asia. With the determination of the Thai Summit Group management team, we can ensure continuous improvement and innovative products along with high technological advances in the automotive industry. Thai Summit Group features world class quality manufacturing processes and product quality control to compete on a global level.

With over 30 years of experience in the automotive industry, we are proud to present our own innovative electric automobile, the "CARIO". **CARIO** belongs to a subsidiary group of Thai Summit called **TS Vehicle Tech**. It features the latest design of modern technology to suit consumer trends and demands. It also represents the potential of Thailand's growth and advancement in the automotive industry, showing great performance and innovative technology and design.

**CARIO** is a multi-purpose electric car designed by engineers who have expertise in the field of research and development. **CARIO** is also an energy-saving and eco-friendly vehicle. The sales team of **CARIO** is prompt to bring top quality after-sales service in order to achieve an utmost customer satisfaction.

# TECHNOLOGY & EFFICIENCY



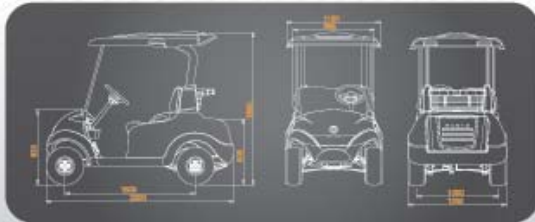
To be a leader of innovative technology and electric automobile producer, we focus heavily on product research and development. Cario is the first vehicle to be designed, innovated and produced in Thailand by our team of Thai engineers. To design each model successfully, our engineers will study and research the market demands and quality then implement them into our 3D graphic design module and customize the vehicle to fit our customer's needs.

In addition, we emphasize greatly on quality control and quality processing by closely examining each process and every step of the way. We use the latest machinery and technology combined with high quality materials to produce the best products.







CARIO

*CARIO* **Bravo**  
*it's a cool ride*



**Model CARIO BRAVO**

-  TitaniumGrey
-  BlackBerry
-  CyberWhite
-  EnvyRed



### Power Source

Drive Motor	SepEx 48 Volt 3.75 hp (30 min)
Drive Unit	12.3 : 1
Electric System	48 Volt
Batteries	(4) 12volt 130Ah

### Dimension

Overall W x L x H (mm)	1,210 x 2,300 x 1,860
Wheelbase (mm)	1600
Ground Clearance (mm)	120

### Weight

Dry Weight without batteries (kg)	272
Batteries (kg)	148
Load Capacity (kg)	250
Passengers	2

### Body/Chassis

Frame	Aluminum Box-Beam
Body	PC-ABS
Front Tires	18 x 8.5 - 4
Rear Tires	18 x 8.5 - 4

### Steering / Suspension

Steering	Automatic-adjusted rack and pinion
Front Suspension	Independent leaf spring with dual shock absorbers
Rear Suspension	Leaf springs with dual shock absorbers
Brakes	Adjusting drum brakes on two rear wheels, foot-operated park brakes
Drum Wheel	Aluminum alloy

### Performance

Turning Radius (m)	2.4
Forward Speed (km/hr)	25 - 27
Slope-Climbing Ability (degree)	30



CARIO



**Model TT01**

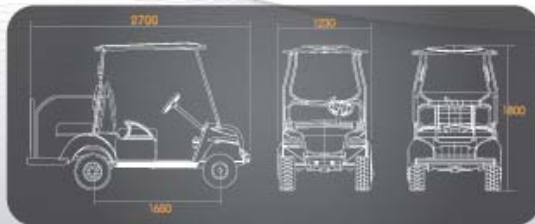
 Wild Berry  Amber  Snowdrop



<b>Power Source</b>	
Drive Motor	Series 48 Volt 3.75 hp
Drive Unit	12.3 : 1
Electric System	48 Volt
Batteries	(4) 12volt 130Ah
<b>Dimension</b>	
Overall W x L x H (mm)	1,230 x 2,300x 1,800
Wheelbase (mm)	1,650
Ground Clearance (mm)	100
<b>Weight</b>	
Dry Weight without Batteries (kg)	253
Batteries (kg)	132
Load Capacity (kg)	250
Passengers	2
<b>Body/Chassis</b>	
Frame	Aluminum I-Beam
Body	Plastic ABS
Front Tires	18 x 8.5 - 8
Rear Tires	18 x 8.5 - 8
<b>Steering / Suspension</b>	
Steering	Automatic-adjusted rack and pinion
Front Suspension	Independent leaf spring with dual shock absorbers
Rear Suspension	Leaf spring with dual shock absorbers
Brakes	Adjusting drum brakes on two rear wheels, foot-operated park brakes
Drum Wheel	Aluminum alloy
<b>Performance</b>	
Turning Radius (m)	2.9
Forward Speed (km/hr)	25
Slope-Climbing Ability (degree)	30



CARIO



Model TT01 EXT

● Wild Berry ● Amber ● Snowdrop



### Power Source

Drive Motor	Series 48 Volt 3.75 hp
Drive Unit	12.3 : 1
Electric System	48 Volt
Batteries	(4) 12volt 130Ah

### Dimension

Overall W x L x H (mm)	1,230 x 2,700x 1,800
Wheelbase (mm)	1,650
Ground Clearance (mm)	100

### Weight

Dry Weight without Batteries (kg)	286
Batteries (kg)	174
Load Capacity (kg)	300
Passengers	4

### Body/Chassis

Frame	Aluminum I-beam
Body	Plastic ABS
Front Tires	18 x 8.5 - 8
Rear Tires	18 x 8.5 - 8

### Steering / Suspension

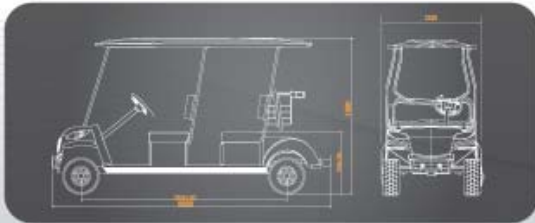
Steering	Automatic-adjusted rack and pinion
Front Suspension	Independent leaf spring with dual shock absorbers
Rear Suspension	Leaf spring with dual shock absorbers
Brakes	Adjusting drum brakes on two rear wheels, foot-operated park brakes
Drum Wheel	Aluminum alloy

### Performance

Turning Radius (m)	2.9
Forward Speed (km/hr)	25
Slope-Climbing Ability (degree)	30



CARIO



**Model TT02**

 Wild Berry  Amber  Snowdrop



### Power Source

Drive Motor	Series 48 Volt 3.75 hp
Drive Unit	12.3 : 1
Electric System	48 Volt
Batteries	(6) 8volt 150Ah

### Dimension

Overall W x L x H (mm)	1,230 x 3,220x 1,800
Wheelbase (mm)	2,500
Ground Clearance (mm)	100

### Weight

Dry Weight with no batteries (kg)	321
Batteries (kg)	174
Load Capacity (kg)	300
Passengers	4

### Body/Chassis

Frame	Aluminum I-beam
Body	Plastic ABS
Front Tires	18 x 8.5 - 8
Rear Tires	18 x 8.5 - 8

### Steering / Suspension

Steering	Automatic-adjusted rack and pinion
Front Suspension	Independent leaf spring with dual shock absorbers
Rear Suspension	Leaf spring with dual shock absorbers
Brakes	Adjusting drum brakes on four wheels, foot-operated park brakes
Drum Wheel	Aluminum alloy

### Performance

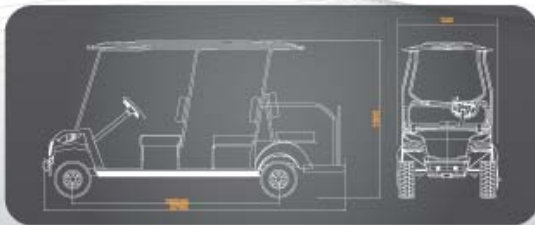
Turning Radius (m)	4.3
Forward Speed (km/hr)	22
Slope-Climbing Ability (degree)	20

### Accessories

Headlight and Tail light	12 Volt 35 Watt
--------------------------	-----------------



CARIO



**Model TT02 EXT**

● Wild Berry ● Amber ● Snowdrop



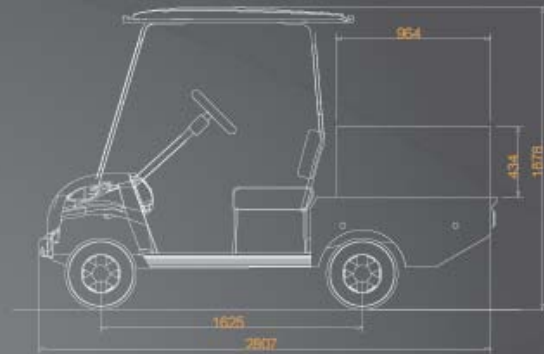
<b>Power Source</b>	
Drive Motor	Series 48 Volt 3.75 hp
Drive Unit	12.3 : 1
Electric System	48 Volt
Batteries	(6) 8volt 150Ah
<b>Dimension</b>	
Overall W x L x H (mm)	1,230 x 3,570 x 1,800
Wheelbase (mm)	2,500
Ground Clearance (mm)	100
<b>Weight</b>	
Dry Weight without Batteries (kg)	381
Batteries (kg)	174
Load Capacity (kg)	450
Passengers	6
<b>Body/Chassis</b>	
Frame	Aluminum I-beam
Body	Plastic ABS
Front Tires	18 x 8.5 - 8
Rear Tires	18 x 8.5 - 8
<b>Steering / Suspension</b>	
Steering	Automatic-adjusted rack and pinion
Front Suspension	Independent leaf spring with dual shock absorbers
Rear Suspension	Leaf spring with dual shock absorbers
Brakes	Adjusting drum brakes on four wheels, foot-operated park brakes
Drum Wheel	Aluminum alloy
<b>Performance</b>	
Turning Radius (m)	4.3
Forward Speed (km/hr)	22
Slope-Climbing Ability (degree)	20
<b>Accessories</b>	
Headlight and Tail light	12 Volt 35 Watt



CARIO

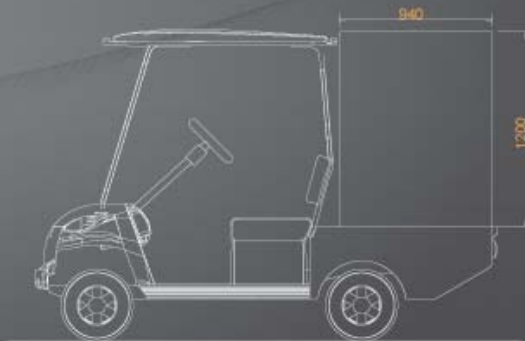


Model TT01 Multiwagon



Model TT01 Traveller

● Wild Berry ● Amber ● Snowdrop





C A R I O



# Customization

Cario is a versatile vehicle that can serve many functions. It is designed to be customizable and adaptable for sorts of circumstances such as golf course, resort transportation, hospitals, airports, and factories.



Traveller



Multiwagon



C A R I O

# Customer Reference



## Golf Course

- Pattana Golf & Sports Resort
- St.Andrews 2000 Rayong
- Gassan Chiangmai Properties
- Summit Pinehurst Golf & Country Club
- Bangkok Golf Club
- Krungthep-kreetha Sports Club
- Royal Lakeside Golf Club
- Dragon Hills Golf & Country Club
- Milford Golf Club
- The Majestic Creek Country Club
- Waterford Chiangrai
- Siam Country Club



## Resort

- Sea View Resort and Spa Koh Chang
- Coco International Property Samui
- Arinta Krabi
- Baan Thai Hotel & Resort Phuket
- Khaolak Seaview Resort & Spa
- La Flora Khaolak
- New Star Beach Resort Samui
- Prime Nature Villa Hua-Hin, On-Nut



## Factory

- Mitsubishi Motor Thailand
- Sumitomo Electric Wiring Systems Thailand, Ltd. (SEWT)
- Thai Storage Battery Public Co., Ltd. (3K Battery)
- TOA Paint Co., Ltd.
- Daikin Industries (Thailand) Ltd. (Chonburi)
- TOYOTA Motor (Thailand) Co., Ltd.



## Hospital

- Bangkok Hospital
- Siriraj Hospital
- Samitivej Hospital

## Others

- Thai Airway
- King Power Duty Free
- Bank of Thailand
- The Ancient City, Muang Boran
- The Sixtieth Anniversary Celebrations Event
- Royal Flora Ratchaphruek 2006 Chiangmai Event



C A R I O

# After Sales Service



## After Sales Services

Our sales team and expert mechanics are prompt to provide after-sales services to achieve an utmost customer satisfaction.

## Training

Provide maintenance training program to Corporate Customers

## Warranty

Routine check-up services during warranty period

# Contact Us

TS Vehicle Tech Co.,Ltd.

91/1 Moo.5 Bangsamake, Bangpakong, Chachoengsao, 24180 Thailand

Tel : +66 038-570-661-4, +66 038-570-743

Fax : +66 038-570-665

*Carry More Fun*

C A R I O

[www.cariogolfcart.com](http://www.cariogolfcart.com)